



# DIVYA INDUSTRIES

**Manufacturers of :** Circlips, Springs & Industrial Key  
**Stockist & Suppliers of :** Solid Cylinder, Taper Pins, Dowel Spring Pin

**Manufacturers of :** External / Internal / 'E' Clip Circlips,  
Dowel Pins (Spring / Solid), Taper Pins & Washer, Parallel Keys

**Stockist of :** All Types of High Tensile Fasteners, Allen Cap Screw,  
Grub Screw, Button Head & C.S.K. Cap Screws, M.M. Threads Carriage Bolts

**PRICE LIST**

DIVYA



External Circlip



Internal Circlip



E-Type Circlip

DIVYA



Solid Dowel Pin



Tapper Pin

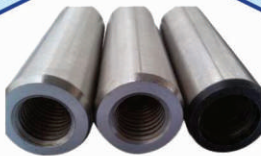


Circlips



Parallel Keys

DIVYA



Internal Thread  
Dowel Pins



Dies Punch



Woodruff Keys

DIVYA



Disc Spring Washer



Spring Dowel Pin



Ejector Pins



Bearing Washer

DIVYA



Internal Thread  
Taper Pins



R. Cotter Pin



Spiral Pins

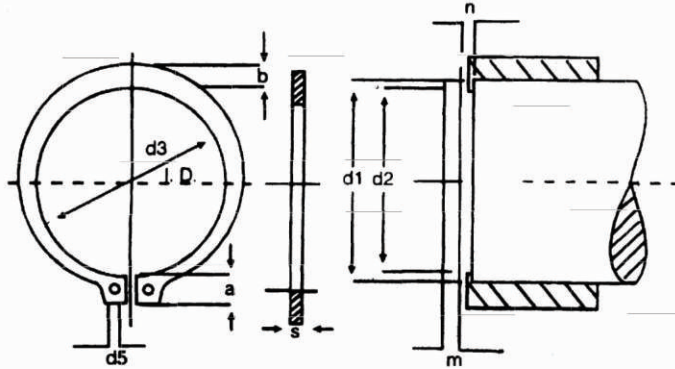
DIVYA

125, Narayan Dhuru Street, Mumbai - 400 003, Maharashtra.

Mobile : 93241 47474 / 98695 09580 Talk Free : 12204

Email : dshah1175@gmail.com

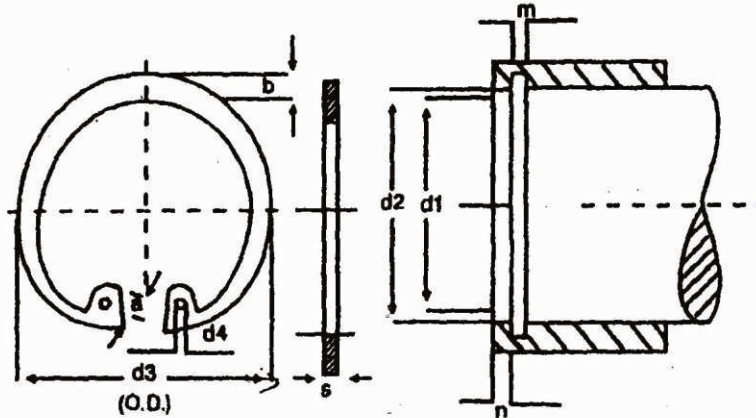
# EXTERNAL CIRCLIPS - 471 - IS - 3075



(All dimensions are in millimeters)

Size mm d1	Thickness mm s	I.D. mm d3	Price per 100 Nos.	Size mm d1	Thickness mm s	I.D. mm d3	Price per 100 Nos.
4	0.4	3.7	200	50	2.00	45.8	2200
5	0.6	4.7	200	52	2.00	47.8	2400
6	0.7	5.6	200	55	2.00	50.8	2600
7	0.8	6.5	200	58	2.00	53.8	2900
8	0.8	7.4	200	60	2.00	55.8	3100
9	1.0	8.4	200	62	2.00	57.8	3200
10	1.0	9.3	210	65	2.50	60.8	3500
11	1.0	10.2	220	68	2.50	63.5	4100
12	1.0	11.0	230	70	2.50	65.5	4400
13	1.0	11.9	230	72	2.50	67.5	4900
14	1.0	12.9	240	75	2.50	70.5	5300
15	1.0	13.8	260	78	2.50	73.5	5600
16	1.0	14.7	270	80	2.50	74.5	6000
17	1.0	15.7	300	82	2.50	76.5	6200
18	1.2	16.5	340	85	3.00	79.5	7000
19	1.2	17.5	370	90	3.00	84.5	8000
20	1.2	18.5	400	95	3.00	89.5	8600
21	1.2	19.5	425	100	3.00	94.5	10000
22	1.2	20.5	425	105	4.00	98.0	11000
24	1.2	22.5	460	110	4.00	103.0	13000
25	1.2	23.2	500	115	4.00	108.0	14500
26	1.2	24.9	525	120	4.00	113.0	16000
28	1.5	25.9	570	125	4.00	118.0	18000
30	1.5	27.9	600	130	4.00	123.0	21000
32	1.5	29.6	620	135	4.00	128.0	23000
34	1.5	31.4	810	140	4.00	134.0	24000
35	1.5	32.2	825	145	4.00	138.0	25000
36	1.75	33.2	980	150	4.00	142.0	27000
38	1.75	35.2	1000	160	4.00	151.0	35000
40	1.75	36.5	1150	170	4.00	160.0	48000
42	1.75	38.5	1200	180	4.00	170.0	55000
45	1.75	41.5	1350	190	4.00	180.5	60000
47	1.75	43.5	1500	200	4.00	190.5	65000
48	1.75	44.5	1600				

# INTERNAL CIRCLIPS DIN - 472 - IS - 3075



(All dimensions are in millimeters)

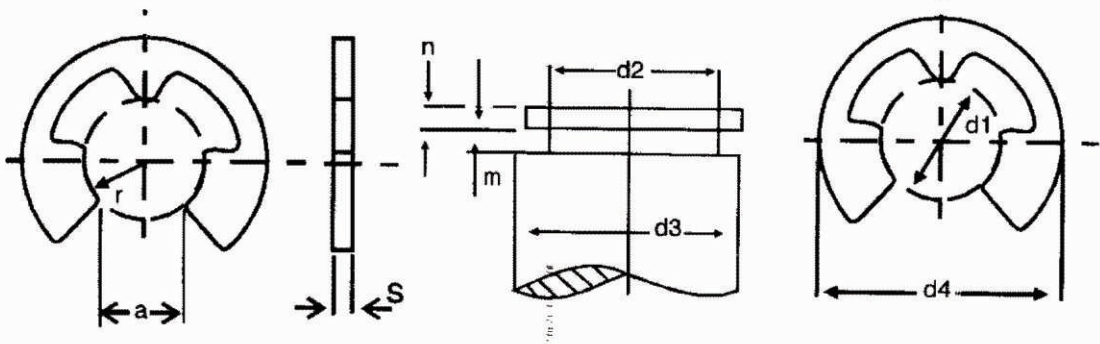
Size mm d1	Thickness mm s	O.D. mm d3	Price per 100 Nos.	Size mm d1	Thickness mm s	O.D. mm d3	Price per 100 Nos.
8	0.8	8.70	200	52	2.00	56.20	1500
9	0.8	9.80	200	55	2.00	59.20	1700
10	1.0	10.80	200	58	2.00	62.20	1900
11	1.0	11.80	200	60	2.00	64.20	2000
12	1.0	13.00	200	62	2.00	66.20	2300
13	1.0	14.10	200	65	2.50	69.20	2600
14	1.0	15.10	210	68	2.50	72.50	2800
15	1.0	16.20	220	70	2.50	74.50	2900
16	1.0	17.30	230	72	2.50	76.50	3200
17	1.0	18.30	230	75	2.50	79.50	3500
18	1.0	19.50	240	78	2.50	82.50	4000
19	1.0	20.50	250	80	2.50	85.50	4600
20	1.0	21.50	270	82	2.50	87.50	5300
21	1.0	22.50	330	85	3.00	90.50	5500
22	1.0	23.50	350	90	3.00	95.50	5800
24	1.2	25.90	360	95	3.00	100.50	6000
25	1.2	26.90	370	100	3.00	106.00	6200
26	1.2	27.90	380	105	4.00	112.50	7200
28	1.2	30.10	390	110	4.00	117.00	8000
30	1.2	32.10	400	115	4.00	122.00	8800
32	1.2	34.40	425	120	4.00	127.00	9000
34	1.5	36.50	550	125	4.00	132.00	11000
35	1.5	37.80	600	130	4.00	137.00	12000
36	1.5	38.80	650	135	4.00	142.00	15000
38	1.5	40.80	700	140	4.00	147.00	15500
40	1.75	43.50	770	145	4.00	152.00	16500
42	1.75	45.50	860	150	4.00	158.00	20000
45	1.75	48.50	860	160	4.00	169.00	22000
47	1.75	50.50	1000	170	4.00	179.00	25000
48	1.75	51.50	1000	180	4.00	189.00	32000
50	2.00	54.20	1160	190	4.00	199.00	36000
				200	4.00	209.50	41000

# E CLIP DIN - 6799

Unexpanded

Circlip Grove for Shaft

Expanded



Retaining Ring				Shaft Dia		Shaft Groove						
Nom Shaft Groove Dia d1	External Dia Expanded d4	"a" H10	Thickness		d3		Dia d2 H11	m	Tol.	n min	Price per 100 Pcs.	
			'S'	Tol	From	To						
0.8	2.0	0.58	0.2	±0.02	1.0	1.4	0.8	0.24	±0.02	0.4	250	
1.2	3.0	1.01	0.3		1.4	2.0	1.2	0.41		0.6	150	
1.5	4.0	1.28	0.4		2.0	2.5	1.5	0.44		0.8	60	
1.9	4.5	1.61	0.5		±0.03	2.5	3.0	1.9	0.54	1.0	70	
2.3	6.0	1.94	0.6			3.0	4.0	2.3	0.64		80	
3.2	7.0	2.70				4.0	5.0	3.2		0.64	80	
4.0	9.0	3.34	0.7			5.0	7.0	4.0	0.74	90		
5.0	11.0	4.11				6.0	8.0	5.0		0.74	100	
6.0	12.0	5.26				7.0	9.0	6.0		0.74	120	
7.0	14.0	5.84	0.9	±0.03	8.0	11.0	7.0	0.94	1.5	150		
8.0	16.0	6.52	1.0		9.0	12.0	8.0	1.05		1.8	200	
9.0	18.5	7.63	1.1		10.0	14.0	9.0	1.15			2.0	250
10.0	20.0	8.32	1.2		±0.06	11.0	15.0	10.0	1.25	3.0	350	
12.0	23.0	10.45	1.3			13.0	18.0	12.0	1.35		2.5	550
15.0	29.0	12.61	1.5			16.0	24.0	15.0	1.55		3.0	800
19.0	37.0	15.92	1.75			20.0	31.0	19.0	1.80	3.5	1500	
24.0	44.0	21.88	2.0			25.0	38.0	24.0	2.05	4.0	3500	

**DIN 1481****SPRING DOWEL PINS****RATE PER 100 PCS.****MADE FROM CARBON SPRING STEEL EN - 42 - J DIN 1481**

Dia	1.5 mm	2 mm	3mm	4 mm	5 mm	6 mm	8 mm	10 mm	12 mm
Length	1/16"	3/32"	1/8"	5/32"	3/16"	1/4"	5/16"	13/32"	1/2"
12	150	150	150	165	210	270	440	700	920
15	150	160	160	180	240	310	480	740	960
20	160	190	200	220	290	340	570	790	1120
25	180	220	230	250	330	400	630	920	1260
30	210	250	260	280	380	450	720	1030	1470
32	240	270	280	300	440	510	770	1150	1640
35	260	270	280	300	440	510	770	1150	1640
40	300	290	300	340	530	570	830	1290	1970
45	330	300	320	380	570	660	920	1410	2130
50	420	320	340	410	620	700	990	1550	2280
55			400	440	670	780	1080	1670	2570
60				490	730	850	1170	1800	2650
65					760	940	1260	2040	2810
70					840	960	1490	2350	3110
75					900	1220	1580	2580	3180
80					1020	1300	1650	2790	3410
90					1100	1450	1830	2980	3790
100					1270	1600	2000	3250	4180

**WAVE WASHERS FOR BALL BEARINGS****PRE - LOADING WASHERS**

Aubar in mm	Bearing No.			O.D. (D)	I.D. (d)	Thickness (S)	Rate per 100 pcs.
26		6000		25.5 mm	21.0 mm	0.3	700
32		6002	6201	31.5 mm	25.5 mm	0.3	800
35	6300	6003	6202	34.0 mm	28.0 mm	0.4	1000
40			6203	39.5 mm	34 mm	0.4	1200
42	6302	6004		41.0 mm	34 mm	0.4	1400
47	6303	6005	6204	46.5 mm	39.5 mm	0.5	1600
52	6304		6205	51.0 mm	41 mm	0.5	1800
55		6006		53.4 mm	44.4 mm	0.5	2000
62	6305	6007	6206	61.0 mm	51 mm	0.5	2200
72	6306		6207	71.0 mm	61 mm	0.6	2800
80	6307	6010	6208	79.0 mm	71 mm	0.6	3000
85			6209	84.1 mm	73.7 mm	0.6	4000
90	6308	6011	6210	89.0 mm	79 mm	0.6	4500
100	6309	6013	6211	99.0 mm	89 mm	0.6	5500

## Dowel / Taper Pins - Metric

RATE PER 100 PCS.

Size in mm	Dowel Pins Hard IS : 6689	Taper Pins Soft DIN 1	Size in mm	Dowel Pins Hard IS : 6689	Taper Pins Soft DIN 1	Size in mm	Dowel Pins Hard IS : 6689	Taper Pins Soft DIN 1
2 x 10	400	500	5 x 45	700	950	10 x 20	780	850
2 x 12	410	500	5 x 50	750	1050	10 x 25	1000	1040
2.5 x 15	425	500	5 x 55	770	1080	10 x 30	1030	1100
2.5 x 20	440	550	5 x 60	790	1100	10 x 35	1130	1220
2.5 x 25	450	600	5 x 65	850	1200	10 x 40	1240	1330
2.5 x 30	470	640	5 x 70	870	1350	10 x 45	1370	1480
3 x 8	320	450	5 x 75	900	1400	10 x 50	1500	1620
3 x 10	340	460	5 x 80	940	1450	10 x 55	1700	1830
3 x 12	360	475	6 x 12	425	550	10 x 60	1900	2050
3 x 14	375	500	6 x 16	475	630	10 x 65	2050	2230
3 x 16	390	510	6 x 18	500	650	10 x 70	2300	2460
3 x 18	400	530	6 x 20	550	700	10 x 75	2500	2680
3 x 20	440	570	6 x 25	600	730	10 x 80	2700	2950
3 x 25	460	590	6 x 30	630	780	10 x 90	3100	3370
3 x 30	500	630	6 x 35	690	880	10 x 100	3600	4020
3 x 35	520	690	6 x 40	720	950	12 x 25	1240	1340
3 x 40	540	800	6 x 45	770	980	12 x 30	1370	1480
3 x 45	570	830	6 x 50	800	1100	12 x 35	1600	1720
3 x 50	600	950	6 x 55	870	1150	12 x 40	1660	1800
4 x 8	340	450	6 x 60	950	1250	12 x 45	1860	2000
4 x 10	360	475	6 x 65	1000	1330	12 x 50	2050	2200
4 x 12	375	500	6 x 70	1060	1400	12 x 55	2220	2430
4 x 16	400	550	6 x 75	1100	1470	12 x 60	2400	2600
4 x 18	460	560	6 x 80	1180	1550	12 x 65	2640	2850
4 x 20	460	600	6 x 90	1300	1722	12 x 70	2820	3050
4 x 25	450	650	6 x 100	1400	1850	12 x 75	3150	3430
4 x 30	520	725	8 x 16	580	690	12 x 80	3370	3620
4 x 35	540	750	8 x 18	600	740	12 x 90	3820	4120
4 x 40	600	825	8 x 20	630	770	12 x 100	4100	4400
4 x 45	620	870	8 x 25	670	840	16 x 25	2000	2150
4 x 50	680	980	8 x 30	750	980	16 x 30	2370	2550
4 x 55	720	1030	8 x 35	850	1040	16 x 35	2730	2950
4 x 60	750	1050	8 x 40	960	1130	16 x 40	3200	3430
4 x 65	790	1100	8 x 45	1050	1270	16 x 45	3650	3900
4 x 70	860	1200	8 x 50	1220	1450	16 x 50	4000	4300
5 x 12	400	530	8 x 55	1260	1620	16 x 55	4400	4560
5 x 14	420	550	8 x 60	1400	1770	16 x 60	4800	5160
5 x 16	440	600	8 x 65	1510	1960	16 x 65	5100	5500
5 x 18	470	650	8 x 70	1700	2150	16 x 70	5550	6000
5 x 20	520	750	8 x 75	1850	2350	16 x 75	6050	6500
5 x 25	540	750	8 x 80	2020	2550	16 x 80	6370	6800
5 x 30	540	800	8 x 90	2200	2750	16 x 90	7100	7600
5 x 35	570	875	8 x 100	2350	2900	16 x 100	8400	9000
5 x 40	660	925						

## Dowel / Taper Pins - Metric

RATE PER 100 PCS.

Size in mm	Dowel Pins Hard IS : 6689	Taper Pins Soft DIN 1	Size in mm	Dowel Pins Hard IS : 6689	Taper Pins Soft DIN 1	Size in mm	Dowel Pins Hard IS : 6689	Taper Pins Soft DIN 1
3/32 x 3/8	500	550	3/16 x 2	780	970	3/8 x 1	1000	1100
3/32 x 1/2	550	600	3/16 x 2¼	820	1140	3/8 x 1¼	1200	1300
3/32 x 3/4	600	650	3/16 x 2½	900	1300	3/8 x 1½	1400	1400
3/32 x 1	650	700	3/16 x 2¾	940	1360	3/8 x 1¾	1500	1600
3/32 x 1¼	700	750	3/16 x 3	990	1500	3/8 x 2	1600	1700
						3/8 x 2¼	2300	2300
1/8 x ½	410	420	1/4 x ½	450	500	3/8 x 2½	2400	2400
1/8 x 3/4	430	460	1/4 x ¾	520	610	3/8 x 3	2500	2800
1/8 x 1	510	570	1/4 x 1	540	650	3/8 x 3½	3200	3300
1/8 x 1¼	600	610	1/4 x 1¼	610	730	3/8 x 4	3800	4000
1/8 x 1½	630	660	1/4 x 1½	720	900			
1/8 x 1¾	660	730	1/4 x 1¾	780	970	½ x 1	1400	1400
1/8 x 2	710	810	1/4 x 2	850	1020	½ x 1¼	1500	1680
			1/4 x 2¼	1060	1210	½ x 1½	1800	1860
5/32 x ½	430	440	1/4 x 2½	1080	1300	½ x 1¾	2000	2040
5/32 x 3/4	480	520	1/4 x 3	1170	1450	½ x 2	2200	2300
5/32 x 1	520	550				½ x 2¼	2500	2660
5/32 x 1¼	630	630	5/16 x ¾	630	770	½ x 2½	2800	2940
5/32 x 1½	670	730	5/16 x 1	660	840	½ x 3	3500	3530
5/32 x 1¾	720	800	5/16 x 1¼	830	1050	½ x 3½	3900	4020
5/32 x 2	770	890	5/16 x 1½	1000	1130	½ x 4	4500	4500
			5/16 x 1¾	1100	1230	5/8 x 1½	3700	3700
3/16 x ½	460	470	5/16 x 2	1250	1460	5/8 x 1¾	4100	4100
3/16 x ¾	520	570	5/16 x 2¼	1300	1620	5/8 x 2	4400	4500
3/16 x 1	580	610	5/16 x 2½	1500	1960	5/8 x 2¼	5200	5200
3/16 x 1¼	660	700	5/16 x 2¾	1700	2160	5/8 x 2½	5500	5500
3/16 x 1½	720	840	5/16 x 3	1900	2300	5/8 x 3	6300	6300
3/16 x 1¾	750	890	5/16 x 3½	2200	2660	5/8 x 3½	7500	7500
			5/16 x 4	2400	2940	5/8 x 4	8400	8400

## DISC SPRING TYPE "A" (HARD SPRING) DIN 2093

Nominal Bolt	I. D. (mm)	O. D. (mm)	Thickness (mm)	Height (mm)	Price per 100 Nos.
4 mm	4.2	08.0	0.40	0.60	150
5 mm	5.2	10.0	0.50	0.75	170
6 mm	6.2	12.5	0.70	1.00	200
7 mm	7.2	14.0	0.80	1.10	260
8 mm	8.2	16.0	0.90	1.25	300
9 mm	9.2	18.0	1.00	1.40	400
10 mm	10.2	20.0	1.10	1.55	500
11 mm	11.2	22.5	1.25	1.75	700
12 mm	12.2	25.0	1.50	2.05	800
14 mm	14.2	28.0	1.50	2.15	1100
16 mm	16.3	31.5	1.75	2.45	1600
18 mm	18.3	35.5	2.00	2.80	2000
20 mm	20.4	40.0	2.25	3.15	3500
22 mm	22.4	45.0	2.50	3.50	4500
25 mm	25.4	50.0	3.00	4.10	6000
28 mm	28.5	56.0	3.00	4.30	7700
30 mm	31.0	63.0	3.50	4.90	14000
35 mm	36.0	71.0	4.00	5.60	20000
40 mm	41.0	80.0	5.00	6.70	25000
45 mm	46.0	90.0	5.00	7.00	30000
50 mm	51.0	100.0	6.00	8.20	45000
55 mm	57.0	112.0	6.00	8.50	70000

## WAVE WASHERS BASED ON DIN 137

Nom. Size mm	TYPE A						TYPE B						Rate per 100 Nos.	
	D H 14	D J 16	H1		S1		D H 14	D J 16	S1		Thick ness	Tol		
			Min	Max	Thick ness	Tol			Min	Max				
2	2.2	4.5	0.5	1.0	0.3	0.03								90
3	3.2	6.0	0.55	1.3	0.4		3.2	8	0.5	1.6				100
4	4.3	8.0	0.6	1.6			4.3	9	1.0	2.0				150
5	5.3	10.0	1.0	2.0			5.3	11	1.2	2.4				170
6	6.4	11.0	1.1	2.2			6.4	12	1.3	2.6				200
8	8.4	15.0	1.7	3.4			8.4	17	1.7	3.4	0.8	0.06		300
10	10.5	18.0	2.0	4.0	0.8	0.06	10.5	21	2.1	4.2	1.0	0.07		500
12							13	24	2.5	5.0	1.2			800
16							17	30	3.1	6.2	1.5			1600
20							21	36	3.7	7.4	1.6			3500
24							25	44	4.1	8.2	1.8	0.1		6000
30							31	56	5.0	10.0	2.2			14000
36							37	68	5.8	11.6	2.5			20000
42							43	78	6.8	13.6	3.0	0.2		25000
48							50	92	7.8	15.6	3.5			45000

**PARALLEL KEYS - METRIC STRIES - IS-2048-1983**

Material : EN-8 Steel (in Soft Condition)

**RATES PER PIECE**

(Size in mm.)	Rs. P.	(Size in mm.)	Rs. P.	(Size in mm.)	Rs. P.
4 x 4 x 10	6	10 x 10 x 25	16	20 x 12 x 30	25
4 x 4 x 20	7	10 x 10 x 50	22	20 x 12 x 100	88
4 x 4 x 25	8	10 x 10 x 100	42	20 x 12 x 200	160
4 x 4 x 50	11	10 x 10 x 200	84	20 x 12 x 300	280
4 x 4 x 100	16	10 x 10 x 300	130	20 x 14 x 300	350
4 x 4 x 200	22			20 x 16 x 300	450
4 x 4 x 300	36	12 x 8 x 25	18	20 x 20 x 300	420
		12 x 8 x 50	24		
5 x 5 x 10	6	12 x 8 x 100	48	22 x 14 x 40	60
5 x 5 x 20	8	12 x 8 x 200	86	22 x 14 x 50	90
5 x 5 x 30	9	12 x 8 x 300	130	22 x 14 x 100	120
5 x 5 x 40	10			22 x 14 x 200	220
5 x 5 x 50	12	12 x 10 x 300	190	22 x 14 x 300	330
5 x 5 x 100	16			22 x 22 x 300	520
5 x 5 x 200	35	12 x 12 x 50	30		
5 x 5 x 300	50	12 x 12 x 100	60	25 x 14 x 50	70
		12 x 12 x 200	120	25 x 14 x 100	145
6 x 4 x 300	80	12 x 12 x 300	180	25 x 14 x 200	275
6 x 5 x 300	100			25 x 14 x 300	390
		14 x 9 x 25	17	25 x 25 x 300	550
6 x 6 x 10	6	14 x 9 x 50	35		
6 x 6 x 20	8	14 x 9 x 100	65	28 x 16 x 50	120
6 x 6 x 25	10	14 x 9 x 200	120	28 x 16 x 100	240
6 x 6 x 50	14	14 x 9 x 300	160	28 x 16 x 200	360
6 x 6 x 100	30	14 x 10 x 300	220	28 x 16 x 300	480
6 x 6 x 200	48	14 x 12 x 300	240	30 x 30 x 300	1500
6 x 6 x 300	60	14 x 14 x 300	190		
				32 x 18 x 100	190
8 x 6 x 300	90	16 x 10 x 50	35	32 x 18 x 200	390
		16 x 10 x 100	70	32 x 18 x 300	580
8 x 7 x 15	9	16 x 10 x 200	130		
8 x 7 x 20	10	16 x 10 x 300	190	36 x 20 x 100	240
8 x 7 x 50	16	16 x 12 x 300	270	36 x 20 x 200	480
8 x 7 x 100	29	16 x 14 x 300	320	36 x 20 x 300	720
8 x 7 x 200	53	16 x 16 x 300	240		
8 x 7 x 300	80			40 x 22 x 100	325
		18 x 11 x 30	34	40 x 22 x 200	600
8 x 8 x 25	13	18 x 11 x 50	40	40 x 22 x 300	1010
8 x 8 x 50	19	18 x 11 x 100	80	40 x 40 x 300	1560
8 x 8 x 100	35	18 x 11 x 200	150		
8 x 8 x 200	68	18 x 11 x 300	230	45 x 25 x 100	430
8 x 8 x 300	110	18 x 12 x 300	400	45 x 25 x 200	860
		18 x 14 x 300	500	45 x 25 x 300	1290
10 x 8 x 25	15	18 x 16 x 300	450		
10 x 8 x 50	21	18 x 18 x 300	380	50 x 28 x 100	540
10 x 8 x 100	38			50 x 28 x 200	1060
10 x 8 x 200	72			50 x 28 x 300	1620
10 x 8 x 300	120			50 x 50 x 300	2300
				56 x 32 x 300	2060

HSN CODE 8487

**EJECTOR PIN**

Rate per 100 Nos.

DIA	100 mm	125 mm	160 mm	200 mm	250 mm	300 mm	350 mm	400 mm	450 mm	500 mm	600 mm
1.0	58	65	76	92	130	162	-	-	-	-	-
1.5	50	55	65	80	100	130	-	-	-	-	-
2.0	44	52	60	76	90	110	160	220	-	-	-
2.5	38	42	52	60	80	100	117	220	-	-	-
3.0	35	40	44	52	68	80	130	166	190	-	-
3.5	45	54	63	80	90	100	-	-	-	-	-
4.0	38	44	54	64	72	82	120	140	190	-	-
4.5	56	70	80	106	120	140	-	-	-	-	-
5.0	44	50	60	70	84	100	140	170	210	255	-
5.5	62	74	84	110	126	150	-	-	-	-	-
6.0	50	56	65	80	94	110	185	220	275	305	475
6.5	82	90	108	120	130	180	-	-	-	-	-
8.0	82	90	108	120	130	180	270	315	370	430	670
10.0	110	125	135	172	205	235	335	400	470	560	810
12.0	130	145	165	195	225	260	365	460	555	615	880
16.0	220	250	280	320	410	510	575	690	775	975	1270
20.0	330	410	515	550	680	795	965	1140	1280	1500	1615

# HSS PUNCHES

HSN CODE : 8203

Diameter	Length (MM)			
	50	70	80	100
0.6	38	53	----	----
0.7	34	44	----	----
0.8	30	44	----	----
0.9	26	30	----	----
1.0 - 2.5	20	22	26	35
2.6 - 2.9	21	23	27	36
3.0 - 3.4	22	25	28	40
3.5 - 3.9	23	27	30	42
4.0 - 4.4	26	29	38	47
4.5 - 4.9	34	35	41	49
5.0 - 5.4	36	36	44	54
5.5 - 5.9	39	42	51	64
6.0 - 6.4	41	46	58	70
6.5 - 7.4	48	57	65	80
7.5 - 8.4	55	66	78	98
8.5 - 9.4	63	79	90	107
9.5 - 10.4	70	90	98	125
10.5 - 11.4	80	100	108	135
11.5 - 12.4	86	107	116	144
12.5 - 13.4	----	120	130	163
13.5 - 14.4	----	136	152	191
14.5 - 15.4	----	161	178	222
15.5 - 16.4	----	201	221	277
16.5 - 17.4	----	220	237	300
17.5 - 18.4	----	240	264	329
18.5 - 19.4	----	276	300	376
19.5 - 20.4	----	304	329	410

**KM LOCKNUTS**

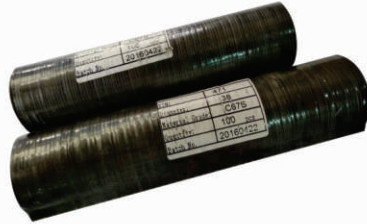
SIZE	RATE
KM 0	53
KM 1	53
KM 2	53
KM 3	53
KM 4	62
KM 5	73
KM 6	73
KM 7	73
KM 8	86
KM 9	95
KM 10	106
KM 11	113
KM 12	119
KM 13	153
KM 14	186
KM 15	201
KM 16	292
KM 17	328
KM 18	383
KM 19	428
KM 20	456
KM 21	492
KM 22	529
KM 23	602
KM 24	629
KM 25	693
KM 26	757
KM 27	912
KM 28	957
KM 29	1057
KM 30	1185
KM 31	1322
KM 32	1422
KM 33	1568
KM 34	1650
KM 36	1787
KM 38	2024
KM 40	2416

**MB LOCKWASHERS**

SIZE	RATE
MB 0	14
MB 1	14
MB 2	14
MB 3	18
MB 4	20
MB 5	20
MB 6	20
MB 7	21
MB 8	21
MB 9	25
MB 10	30
MB 11	30
MB 12	39
MB 13	47
MB 14	47
MB 15	54
MB 16	54
MB 17	63
MB 18	81
MB 19	98
MB 20	116
MB 21	143
MB 22	152
MB 23	188
MB 24	233
MB 25	295
MB 26	304
MB 27	349
MB 28	376
MB 29	394
MB 30	421
MB 31	456
MB 32	456
MB 33	519
MB 34	546
MB 36	644
MB 38	868
MB 40	1029
MB 42	1288

# EXTERNAL CIRCLIP DIN - 471 - ID - 3075

## IMPORTED CIRCLIP



(All dimensions are in millimeters)

Size mm d1	Thickness mm s	I.D. mm d3	Price per 100 pcs.	Size mm d1	Thickness mm s	I.D. mm d3	Price per 100 pcs.
4	0.4	3.7	220	38	1.75	35.2	1500
5	0.6	4.7	230	40	1.75	36.5	1700
6	0.7	5.6	240	42	1.75	38.5	1800
7	0.8	6.5	240	45	1.75	41.5	2000
8	0.8	7.4	240	47	1.75	43.5	2100
9	1.0	8.4	250	48	1.75	44.5	2200
10	1.0	9.3	260	50	2.00	45.8	2700
11	1.0	10.2	270	52	2.00	47.8	2900
12	1.0	11.0	270	55	2.00	50.8	3000
13	1.0	11.9	290	58	2.00	53.8	3200
14	1.0	12.9	300	60	2.00	55.8	3600
15	1.0	13.8	320	62	2.00	57.8	3800
16	1.0	14.7	330	65	2.50	60.8	4400
17	1.0	15.7	340	68	2.50	63.5	4600
18	1.2	16.5	380	70	2.50	65.5	5000
19	1.2	17.5	410	72	2.50	67.5	5400
20	1.2	18.5	500	75	2.50	70.5	5600
21	1.2	19.5	525	78	2.50	73.5	6400
22	1.2	20.5	530	80	2.50	74.5	7200
24	1.2	22.5	580	82	2.50	76.5	7500
25	1.2	23.2	600	85	3.00	79.5	8000
26	1.2	24.9	625	90	3.00	84.5	8800
28	1.5	25.9	1000	95	3.00	89.5	9600
30	1.5	27.9	1100	100	3.00	94.5	11000
32	1.5	29.6	1200	105	4.00	98.0	11000
34	1.5	31.4	1300	110	4.00	103.0	18000
35	1.5	32.2	1300	115	4.00	108.0	14500
36	1.75	33.2	1450	120	4.00	113.0	20000

# INTERNAL CIRCLIP DIN - 472 - ID - 3075

## IMPORTED CIRCLIP



(All dimensions are in millimeters)

Size mm d1	Thickness mm s	O.D. mm d3	Price per 100 pcs.	Size mm d1	Thickness mm s	O.D. mm d3	Price per 100 pcs.
8	0.8	8.70	240	42	1.75	45.50	1850
9	0.8	9.80	240	45	1.75	48.50	2000
10	1.0	10.80	250	47	1.75	50.50	2100
11	1.0	11.80	260	48	1.75	51.50	2200
12	1.0	13.00	260	50	2.00	54.20	3000
13	1.0	14.10	270	52	2.00	56.20	3200
14	1.0	15.10	270	55	2.00	59.20	3500
15	1.0	16.20	280	58	2.00	62.20	3600
16	1.0	17.30	290	60	2.00	64.20	3600
17	1.0	18.30	290	62	2.00	66.20	3800
18	1.0	19.50	330	65	2.50	69.20	4000
19	1.0	20.50	360	68	2.50	72.50	4200
20	1.0	21.50	425	70	2.50	74.50	4600
21	1.0	22.50	450	72	2.50	76.50	4800
22	1.0	23.50	480	75	2.50	79.50	5000
24	1.2	25.90	540	78	2.50	82.50	5400
25	1.2	26.90	570	80	2.50	85.50	5600
26	1.2	27.90	590	82	2.50	87.50	6000
28	1.2	30.10	770	85	3.00	90.50	6300
30	1.2	32.10	800	90	3.00	95.50	7200
32	1.2	34.40	820	95	3.00	100.50	7400
34	1.5	36.50	1000	100	3.00	106.00	7600
35	1.5	37.80	1100	105	4.00	112.50	14000
36	1.5	38.80	1450	110	4.00	117.00	16000
38	1.5	40.80	1550	115	4.00	122.00	18000
40	1.75	43.50	1750				

<b>SS CIRCLIP 304 (EXTERNAL)</b>	
(Size)	Rate (Each) Rs.
4 mm	4.00
5 mm	4.00
6 mm	4.00
8 mm	4.00
9 mm	4.50
10 mm	4.50
11 mm	5.00
12 mm	5.00
13 mm	5.00
14 mm	5.50
15 mm	6.00
16 mm	6.50
17 mm	7.00
18 mm	7.50
19 mm	8.50
20 mm	10.00
22 mm	11.00
24 mm	12.50
25 mm	13.50
26 mm	14.00
28 mm	22.00
30 mm	25.00
32 mm	30.00
35 mm	34.00
36 mm	40.00
38 mm	50.00
40 mm	60.00
42 mm	70.00
45 mm	80.00
47 mm	90.00
50 mm	110.00
55 mm	120.00
60 mm	150.00
65 mm	150.00
70 mm	180.00
75 mm	200.00
80 mm	240.00
85 mm	300.00
90 mm	350.00
100 mm	400.00

<b>SS CIRCLIP 304 (INTERNAL)</b>	
(Size)	Rate (Each) Rs.
10 mm	5.00
11 mm	5.00
12 mm	5.00
14 mm	6.00
15 mm	6.00
16 mm	6.00
17 mm	6.50
18 mm	7.50
19 mm	8.00
20 mm	9.00
22 mm	10.00
24 mm	12.00
25 mm	13.00
26 mm	14.00
28 mm	18.00
30 mm	19.00
32 mm	20.00
35 mm	25.00
36 mm	34.00
38 mm	35.00
40 mm	46.00
42 mm	50.00
45 mm	56.00
47 mm	60.00
50 mm	72.00
52 mm	75.00
55 mm	80.00
60 mm	84.00
62 mm	90.00
65 mm	150.00
70 mm	180.00
72 mm	180.00
75 mm	200.00
80 mm	240.00
82 mm	300.00
85 mm	350.00
90 mm	350.00
100 mm	400.00
110 mm	800.00

<b>SS 304 "E-CLIP"</b>	
(Size)	Rate per 100 Pcs Rs.
1.5	150.00
1.9	150.00
2.3	140.00
3.2	150.00
4.0	180.00
5.0	200.00
6.0	220.00
7.0	300.00
8.0	400.00
9.0	500.00
10.0	600.00
12.0	800.00
15.0	2400.00
19.0	3400.00

**TERMS & CONDITIONS :**

1) This Cancels all our previous issues of the Price Lists. 2) Circlips, Snap Rings and E-Clips are manufactured out of EN : 42 (RANGE) Spring Steel material duly hardened and tempered required as per IS : 3075 and Phosphated finish. 3) All our Prices are Ex-Godown. 4) All Taxes, Union State and local will be charged extra as applicable, GST or whatever the Forms necessary must be accompany the Purchase Order or Payment. 5) All possible efforts will be made to supply the material within the delivery period stipulated in the order. Buyer will have no claim against us for any delay in execution of order beyond such schedules. We accept no liability for payment or any compensation for the loss to customer may sustain, whether direct or indirect. 6) Payment should be made as per Terms & Conditions agreed by us in written. 7) Price are subject to change with one month prior notice. 8) Contracts are deemed to be entered in Mumbai and all subject to the Jurisdiction of Courts in Mumbai only.



# DIVYA INDUSTRIES

**Manufacturers of :** Circlips, Springs & Industrial Key  
**Stockist & Suppliers of :** Solid Cylinder, Taper Pins, Dowel Spring Pin

**Manufacturers of :** External / Internal / 'E' Clip Circlips,  
Dowel Pins (Spring / Solid), Taper Pins & Washer, Parallel Keys

**Stockist of :** All Types of High Tensile Fasteners, Allen Cap Screw,  
Grub Screw, Button Head & C.S.K. Cap Screws, M.M. Threads Carriage Bolts

**DIVYA**



External Circlip



Internal Circlip



Dome Nut

**DIVYA**



Grub Screw  
Dog / Flat / Cone Point



T- Nut



Helicoil Insert



Wave Washer

**DIVYA**



M.B. Lock Washer



BSP / NPT Collar Plug



Knord Lock Washer

**DIVYA**



KM Lock Nut



Overlapping Star Washer



Internal Star Washer



External Star Washer

**DIVYA**



Grub Plunger



Millimeter Carriage Bolt



Socket Head Cap Screw

**DIVYA**

125, Narayan Dhuru Street, Mumbai - 400 003, Maharashtra.

Mobile : 93241 47474 / 98695 09580 Talk Free : 12204

Email : dshah1175@gmail.com